

# **TEAC®**

## **SERVICE MANUAL**

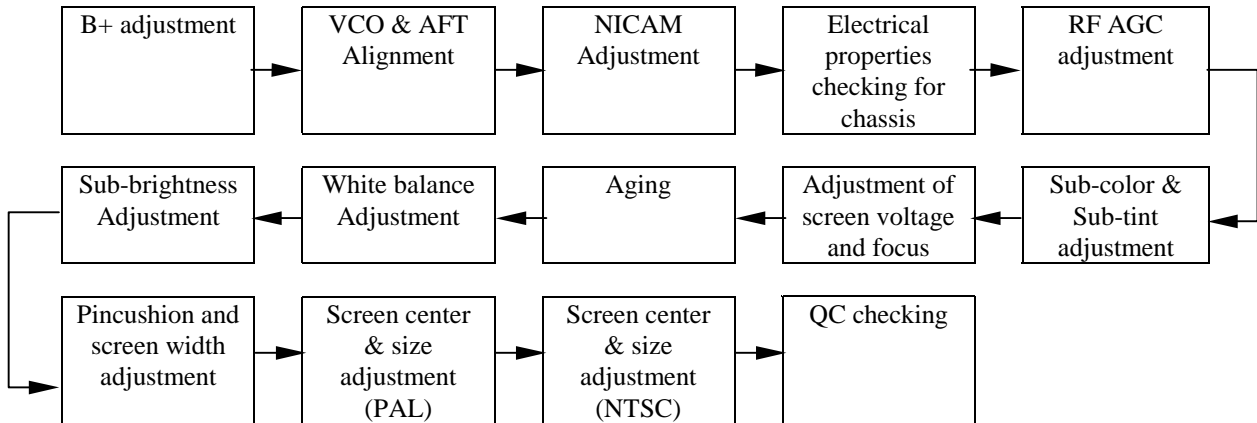
---

# **CTM6840**

68CM CTV

---

**Flowchart chart of alignment procedure for M17 chassis:**



**ALIGNMENT PROCEDURE FOR M17 CHASSIS:**

D-mode:

Enter D-Mode by pressing D-Mode ON/OFF key, and then you can enter the D-mode.

S-mode:

Enter S-Mode by pressing VOLUME DOWN key on the unit until the volume decrease to minimum level, then press the DISPLAY key on the remote handset (don't release the volume key) and you can enter S- mode.

After enter D-mode or S-mode, you can adjust the setting according to the following procedure,

Press "1" to enter the white balance alignment menu,

Item	Description
RCUT	Red cutoff
BCUT	Blue cutoff
GCUT	Green cutoff
BDRV	Blue drive
GDRV	Green drive

Press "2" to enter picture geometry alignment menu for PAL system,

Item	Description
VPOS50	PAL V. position
HIGH50	PAL V. size
VLIN50	PAL V. linearity
VSC50	PAL V-S correction
OSDV50	PAL V. position of OSD
HPOS50	PAL H. position

Press "3" to enter picture geometry alignment menu for NTSC system,

Item	Description
VPOS60	NTSC V. position
HIGH60	NTSC vertical size
VLIN60	NTSC V. linearity
VSC60	NTSC V-S correction
OSDV60	NTSC V. position of OSD
HPOS60	NTSC H. position

Press "4" to enter sharpness setting menu,

Item	Description	Default data
SHPTV3	50% sharpness in 3.58 system (TV)	20
SHPAV3	50% sharpness in 3.58 system (AV)	1A
SHPTV4	50% sharpness in 4.43 system (TV)	1D
SHPAV4	50% sharpness in 4.43 system (AV)	1A
SHPX	Maximum sharpness	3F
SHPN	Minimum sharpness	10

Press "5" to enter sound alignment menu,

Item	Description	Default data
NIML	NICAM sound output level	07
VOL1	Output level of left channel (FM)	07
VOL2	Output level of right channel (FM)	07
DRIFT	Sync. Pulse error allowance	03
HCOUNT	Sync. pulse counting	06

Press "6" to enter AGC and volume setting,

Item	Description	Default data
RFAGC	AGC setting	22
HAFC	HAFC setting.	00
S-R-Y	Sub color for system	09
S-B-Y	Sub color for system	06
VOL01	Volume output level at 1%	00
VOL25	Volume output level at 25%	18
VOL50	Volume output level at 50%	31

Press "7" to enter system setting,

Item	Description	Default data
VCDM0	System setting	68
VCDM1	System setting	00
VCDM2	System setting	40
MOD0	System setting	00
MOD1	System setting	32
MOD2	System setting	F0
OPTION	System setting	04

Press "8" to enter picture alignment menu 1,

Item	Description	Default data
SCNT	Sub contrast for luminance signal	0A
CNTX	Maximum contrast	3F
CNTN	Minimum contrast	08
BRTX	Maximum brightness	38
BRTN	Minimum brightness	18
COLX	Maximum color	7F
COLN	Minimum color	00

Press "9" to enter picture alignment menu 2,

Item	Description	Default data
CNTC	50% contrast	26
BRTC	50% brightness	38
COLC	50% color	40
TNTC	50% tint	40
COLP	Color level for PAL	00
COLS	Color level for SECAM	40
BRTS	Sub brightness for SECAM	00

Press "0" to enter OSD setting menu,

Item	Description	Default data
OSD	Horizontal position of OSD	0E
TXCX	OSD intensity when maximum contrast	30
RGCN	OSD intensity when minimum contrast	0D
TNTX	Maximum tint level	7F
TNTN	Minimum tint level	7F

#### I) Adjustment of B+ voltage

1. Apply 110-240VAC( $\pm 5V$ ) to mains power input, and Philips standard testing pattern to RF input.
2. Adjust VR801 in STANDARD mode until voltage at TP2 (B+) is  $112V \pm 0.5V$ .

#### II) Adjustment of VCO and AFT

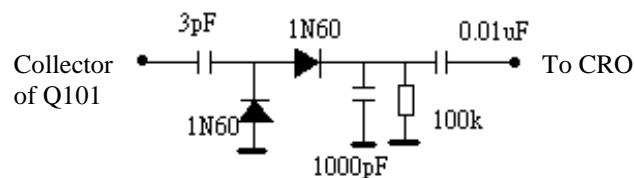
1. Apply a 38.9MHz signal to the IF input.
2. Monitor the DC voltage at pin 48 of IC201.
3. Adjust T201 until the voltage at pin 48 of IC201 becomes  $4.62 \pm 0.2V$  (the picture must stable).
4. Enter D-mode and press the AFT (update/BBE) button. It will start Auto AFT Adjustment and the screen will show "PIFAFT OK" if the process is finished.

#### III) NICAM Adjustment (for NICAM model only)

1. Apply a 38.9MHz color bar with NICAM signal to the IF input.
2. Monitor the DC voltage at pin 15 of IC1101.
3. Adjust T1101 until the voltage at pin 15 of IC1101 becomes  $2.5 \pm 0.1V$ .
4. Then check the waveform at pin 4 and 6 of P1103 and it must show correct audio signal.

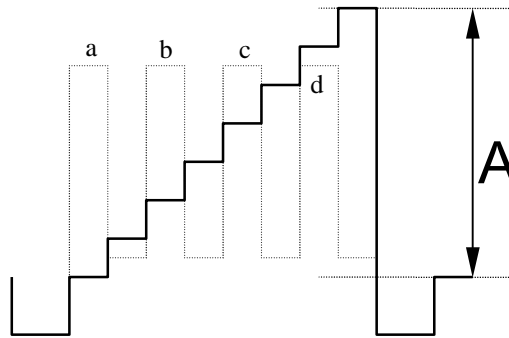
#### IV) The alignment of RFAGC

1. Connect the detector shown below to collector of Q101.
2. Receive a grey scale signal with  $70dB \mu V$  amplitude.
3. Adjust RFAGC item until the output of the detector becomes  $0.8V_{pp}$



**V) Adjustment of Sub-contrast, Sub-tint and Sub-colour for NSTC and PAL signal.**

1. Enter D-mode, and connect the probe of Oscilloscope to the conjunction between R217 and P201 (B-out).
2. Apply the Grey-scale/Colour-bar (NTSC signal) to the AV input, in STANDARD status.
3. Select CNTC to adjust the sub-contrast, until that the amplitude "A" is 2.5V<sub>p-p</sub> as shown below.
4. Select COLC to adjust the sub-colour by tuning the amplitude of "a" and "d" to the same.
5. Select TNTC to adjust the sub-tint by tuning the amplitude of "b" and "c" to the same.
6. Apply the Grey-scale/Colour-bar (PAL signal) to the AV input, in STANDARD status.
7. Select COLP to adjust the sub-colour by tuning the amplitude of "a", "b", "c" and "d" to the same.

**VI) Adjustment of Focus, Screen Voltage and Sub-brightness**

1. Receive a crosshatch pattern.
2. Adjust the "FOCUS" VR on the flyback the make the picture clear.
3. Enter D-mode and press "1--" key and the screen will become a horizontal line. Then adjust the "SCREEN" VR on the flyback transformer to set the intensity of the line to a minimum visible level (the line can just be seen).
4. Press "1--" key again and the TV will become full raster.
5. Select BRTC to adjust the sub-brightness, until that the 2<sup>nd</sup> dark bar of 8 level grey scales just can be seen.

**VII) Adjustment of White balance**

1. Receive a black and white pattern at STANDARD status.
2. Use a color analyzer to measure the black side of the screen. By changing the value of BCUT and GCUT, set the reading of the color analyzer to x=284, y=299.
3. Then measure the white side of the screen. By changing the value of BDRV and GDRV, set the reading of the color analyzer to x=284, y=299.
4. Repeat step 2&3 until you can get the correct reading for both black and white sides.

**VIII) Adjustment of Pincushion and Picture Width (for pure flat model only)**

1. Receive a crosshatch pattern.
2. Adjust VR302 until the vertical line become straight.
3. Adjust VR303 for horizontal size.

**IX) Adjustment of Picture Geometry (PAL)**

1. Apply the crosshatch pattern (PAL signal) to the RF input, in STANDARD status.
2. Select HPOS50 to adjust the Horizontal center.
3. Select VPOS50 to adjust the Vertical center.
4. Select HIGH50 to adjust the Vertical amplitude.
5. Select VLIN50 to adjust the vertical linearity.
6. Select VSC50 to adjust the vertical S-correction.

**X) Adjustment of Picture Geometry (NTSC)**

1. Apply the crosshatch pattern (NTSC signal) to the RF input, in STANDARD status.
2. Select HPOS60 to adjust the Horizontal center.
3. Select VPOS60 to adjust the Vertical center.
4. Select HIGH60 to adjust the Vertical amplitude.
5. Select VLIN60 to adjust the vertical linearity.
6. Select VSC60 to adjust the vertical S-correction.

**XI) Adjustment of OSD position**

1. Enter D-mode and press key "0", then choose OSD item and adjust the OSD horizontal position.
2. Enter D-mode and press key "2", then choose the OSDV50 item and adjust the OSD horizontal position.
3. Enter D-mode and press key "3", then choose the OSDV60 item and adjust the OSD horizontal position.

## System setting of M17

## VCDM0 (default value: 68)

BIT	Item
0	System switch: 0 : normal identify mode 1 : weak signal identify mode
1	White peak suppress: 0: on 1: off
2,3	ABL gain 00: -0.74v 01: -0.64v 10: -0.37v 11: -0.12v
4,5	ABL start point 00: -0.01v 01: -0.11v 10: -0.3v 11: -0.45v
6	CW-SW: TB1238N, pin 29 Fsc CW output 0 : AUTO, 1 : 4.43M
7	In force system mode, the status of color killer when weak signal 0: on 1: off

## VCDM1 (default value: 00)

BIT	Item
0	Blanking: 0: on 1: off
1,2,3,4,5	V-Mute timing: = 200ms + 8ms xData
6	Base band filter in NTSC system: 0: on, 1: off
7	VMOD

## VCDM2 (default value: 40 for 38MHz IF, 30 for 38.9MHz IF)

BIT	Item
0	AFT-mute: 0: on 1: off
1	SECAM-ADJ: 0: SECAM correction off 1: SECAM correction on
2	TB1238N_VMOD
3	PIF VCO ADJ 0: follow bit 0 1: manual adjust
6,5,4	IF frequency: 111: 33.9MHz 110: 33.95MHz 101: 34.47MHz 100: 38MHz 011: 38.9MHz 010: 39.5MHz 001: 45.75MHz 000: 58.75MHz
7	No use

## MODE0

BIT	Item
0	0: normal AV 1: SCART
1	0: English 1: English + Chinese
2	Low Noise Amp. at tuner: 0: off 1: on
3	No use
4, 5, 6, 7	Muting time when power on: 8ms x16 xdata (max. 1920ms)

## MODE1

BIT	Item
0	Logo: 0: disable 1: TCL Logo
1	No. of channel: 0: 49 1: 99
2	No use
3	Menu background 0: disable 1: black background
4	No. of AV 0: 1 1: 2
5	SECAM 0: off 1: on
6	D-mode 0: enable 1: disable
7	No use

## MODE2

BIT	Item
0	Teletext 0: off 1: on
1	NICAM & IGR 0: off 1: on
2	No use
3	No use
4	BG: 0: off 1: on
5	I: 0: off 1: on
6	DK: 0: off 1: on
7	M: 0: off 1: on

## OPTION (default value: 04)

BIT	Item
0	When blue background off (mute pin of CPU): 0: audio mute on 1: audio mute off
1	When blue background off (external mute pin of CPU): 0: audio mute on 1: audio mute off
2	When change channel: 0: picture mute off 1: picture mute on
3	Audio demodulation gain setting: 0: 50KHz 1: 25KHz
4	When no signal: 0: search channel by changing VT 1: use memorized VT
5	Power on mode: 0: previous 1: force standby
6	No use
7	No use



PART NUMBER	DESCRIPTION	QTY	LOCATION
08-02916T-CR2	ASS'Y - CRT BD (S.S)		
10-1N4148-ABX	DIODE 1N4148 (SWITCHING)	3	D501, D502, L501
11-A562TM-0BX	TRANSISTOR 2SA562TM-0	1	Q507
11-SC1815-YBX	TRANSISTOR 2SC1815Y	3	Q502, Q504, Q506
11-SC4544-0AX	TRANSISTOR 2SC4544 (NPN)	3	Q501, Q503, Q505
18-CB0102-JNX	RES. C.F. 1K OHM 1/6W +/-5%	1	R515
18-CB0272-JNX	RES. C.F. 2.7K OHM 1/6W +/-5%	1	R514
18-CB0561-JNX	RES. C.F. 560 OHM 1/6W +/-5%	3	R501, R505, R510
18-CB0681-JNX	RES. C.F. 680 OHM 1/6W +/-5%	8	R502, R503, R506, R508, R509, R511, R513, R522
18-FE0272-JNX	RES. M.O. 2.7K OHM 1/2W +/-5%	3	R519, R520, R521
18-FG0183-JHX	RES. M.O. 18K OHM 2W +/-5%	3	R516, R517, R518
25-BCB471-M1X	CAP. ELEC 470 UF 16V +/-20%	1	C506
25-BLA100-M1X	CAP. ELEC 100 UF 250V +/-20%	1	C504
26-AMK102-KRX	CAP. CER 1000 PF 2KV +/-10% R	1	C505
26-EBP103-ZFX	CAP. CER 0.01UF 50V +80-20% F	2	C508, C509
26-EBP391-JCX	CAP. CER. 390PF 50V +/-5% CH	2	C501, C502
26-EBP471-JCX	CAP. CER 470 PF 50V +/-5% CH	1	C503
34-R220K2-1CX	COIL CHOKE 22 UH +/-10%	1	L502
34-R569K2-1CX	COIL CHOKE 5.6 UH +/-10%	1	L503
35-237250-00X	FERR. BEAD HF70	2	FOR C508 (L505 & L506)
40-02501C-CRG	P.C.B. CRT BD	1	
41-WJ0050-B00	WIRE BARE JUMPER 5MM	1	L504
41-WJ0060-B00	WIRE BARE JUMPER 6MM	3	R504, R507, R512
41-WJ0075-B00	WIRE BARE JUMPER 7.5MM	1	J503
46-10967W-01X	PIN BASE *1 TJC1-1A	1	P501, FOR CRT GROUNDING HOUS.
46-30615H-04X	HS 4P24 460 F/W TJC3-4Y/SCN-4	1	P502, FOR M. BD P421
46-37030H-05X	HS 5P 2468#24 450 TJC3-5Y/SCN	1	P503, FOR M. BD P201
47-265540-0U7	SOCKET CRT GZS10-2-4 (C.B.)	1	S501
02-GND029-XX0	ASS'Y-CRT GND WIRE & HOUS.(29)	1	
36-294960-017	DEGAUSSING XC-74A-3100-TCL 29"	1	
42-61308F-XX2	SPEAKER 8 OHM 8W	2	SP601, SP602
44-29OFLS-SJ2A	CRT A68QBT892X50 (AUST)	1	CRT01
46-26514H-04X	HS 4P A/B 500/13 RBGW TJC1-4Y	1	P411H, FOR D.Y COIL
46-27580H-02X	HS 2P22 600/7 F/W TJC3-2Y	1	P602H, FOR M.BD P602
46-27580H-02X	HS 2P22 600/7 F/W TJC3-2Y	1	P601H, FOR M.BD P601
54-113971-0UE	PVC TUBE #6 L=160MM	2	FOR SPEAKER CONNECTORS
54-114000-00X	FELT TAPE 150X19MM	4	FOR (F.CAB) SPEAKER
54-205140-000	SPACER CRT MOUNTING T=2MM	4	MTG CRT TO F.CAB
54-314740-0X0	CRT FIBRE SHEET T=0.8MM	4	MTG CRT TO F.CAB
55-2906FC-0CN	FRONT CABINET	1	
56-2906FB-0HA	PUSH BUTTON	1	
56-2906LE-0HC	LENS	1	
56-2906PK-0HA	POWER KNOB	1	
59-130460-00X	RUBBER PAD (25MMX7MM)	6	
59-312160-000	SPONGE CUSHION	8	MTG SPK. TO F.CAB
62-216340-0UA	HOLDER POWER CORD	1	
62-269940-0HA	POWER SW. ADAPTER	1	
62-357060-0UN	SUPPORT POST	2	
63-B40150-AB3	S/T SCREW B 4 X 15 AB (BLACK)	4	MTG SUPPORT POST TO F. CAB
63-H60250-AB4	S/T SCREW H 6 X 25 AB	4	MTG CRT TO F. CAB
63-W30100-AB4	S/T SCREW W 3 X 10 AB	3	MTG PUSH BUTTON & FRONT CAB.
63-W30100-AB4	S/T SCREW W 3 X 10 AB	1	MTG LENS & FRONT CAB.
63-W30140-HS4	S/T SCREW W 3 X 14 HS	8	MTG SPK. TO F. CAB
65-A60180-20E	EXT. TOOTH WASHTER 6 X 18 X 2	4	MTG CRT TO F. CAB
67-216790-0E0	SPRING CRT 6MMX50MMX0.6MM	2	
67-250450-0E0	SPRING KNOB	1	
08-HS46F0-M13F	ASS'Y - IR HANDSET "BG"		
10-1N4148-ABX	DIODE 1N4148 (SWITCHING)	5	D1502, D1503, D1504, D1505, D1507
11-0BC337-0BX	TRANSISTOR BC337-40 (NPN)	1	Q1501
13-9028F0-23P	IC TC9028-023 (IR TRANS.)	1	IC1501
14-IRE05B-XX0	INFARED EMITTING DIODE	1	D1501
18-CB0229-JNX	RES. C.F. 2.2 OHM 1/6W +/-5%	1	R1502
18-CB0682-JNX	RES. C.F. 6.8K OHM 1/6W +/-5%	1	R1501
25-HBB470-M1X	CAP. ELEC 47UF 10V +/-20%	1	C1503
26-EBP101-JCX	CAP. CER 100 PF 50V +/-5% CH	2	C1501, C1502
40-2909NT-RMB	P.C.B. REMOTE HANDSET	1	
45-COS455-KY0	CER RESONATOR 455 KHZ	1	X1501
49-HS46F0-00X	RUBBER PAD KEYS	1	

PART NUMBER	DESCRIPTION	QTY	LOCATION
55-HS46FB-0HA	CASE LOWER - REMOTE HANDSET	1	
55-HS46FD-0HA	DOOR BATT. - REMOTE HANDSET	1	
55-HS46FT-0HA	CASE UPPER - REMOTE HANDSET	1	
58-HS46F2-7UI	INLAY IR TRANSM.BD (B/G)	1	
63-B26060-BT2	S/T SCREW B 2.6 X 6 BT	1	
67-26968X-0E2	BATT. TERMINAL (+/-)	1	
67-310280-0E2	SPRING - BATTERY (-)	1	
67-310290-0E2	SPRING - BATTERY (+)	1	
74-009022-60C	POLYBAG HANDSET (9CMX22CM)	1	
08-29064T-MAN	ASS'Y - MAIN BD		
02-IRR001-XX0	IR RECEIVER MODULE	1	IR001
07-389VI5-NX4	TUNER UV1355-BK2(BG/HB/IEC/5V)	1	TU101
10-0BY228-FOX	DIODE BY228 (FAST RECTIFIER)	1	D411
10-1N4001-EBX	DIODE 1N4001 (RECTIFIER)	1	D301
10-1N4148-ABX	DIODE 1N4148 (SWITCHING)	13	D041, D042, D043, D044, D211, D212, D213, D221, D223, D280, D632, D711, D721
10-55C12V-DBX	DIODE ZENER 12V 1/2W +/-5%	2	D731, D732
10-55C4V7-DBX	DIODE ZENER 4.7V 1/2W +/-5%	1	D222
10-55C5V1-DBX	DIODE ZENER 5V1 1/2W +/-5%	2	D061, D101
10-55C8V2-DBX	DIODE ZENER 8V2 1/2W +/-5%	1	D471
10-CW574C-DJX	DIODE CW574CS	1	D111
10-TFR104-FBX	DIODE TFR104 (FAST RECOVERY)	4	D412, D421, D431, D441
11-0BC337-0BX	TRANSISTOR BC337-40 (NPN)	1	Q062
11-2N3904-0BX	TRANSISTOR 2N3904 (NPN)	1	Q091
11-DD1556-0AX	TRANSISTOR 3DD1556 (HORIZ)	1	Q412
11-SA1015-YBX	TRANSISTOR 2SA1015Y	6	Q061, Q211, Q241, Q633, Q721, Q934
11-SC1815-YBX	TRANSISTOR 2SC1815Y	26	Q001, Q002, Q031, Q032, Q051, Q201, Q251, Q252, Q261, Q451, Q631, Q711, Q911, Q912, Q913, Q921, Q922, Q923, Q931, Q932, Q933, Q963, Q964, Q971, Q981, Q991
11-SC3779-DBX	TRANSISTOR 2SC3779D (RF AMPL)	1	Q121
11-SC4544-0AX	TRANSISTOR 2SC4544 (NPN)	1	Q401
11-SD1499-QAX	TRANSISTOR 2SD1499Q (POWER)	1	Q722
11-SK2541-0BX	TRANSISTOR 2SK2541 (N-CHANNEL)	2	Q052, Q212
13-000040-52P	IC 4052	2	IC961, IC962
13-00M24C-08P	IC M24C08 EEPROM 8K	1	IC002
13-00TA84-27P	IC TA8427K	1	IC301
13-0TDA26-16S	IC TDA2616 (AUDIO O/P)	1	IC601
13-TA1216-ANP	IC TA1216AN	1	IC651
13-TB1240-ANP	IC TB1240AN	1	IC201
13-TCLM13-V1P	IC TCLM13V1 3CD4 (CPU)	1	IC001
14-LED05R-XX0	LED HFR105 (5MM)	1	D031
18-CB0101-JNX	RES. C.F. 100 OHM 1/6W +/-5%	13	R003, R006, R007, R009, R015, R016, R065, R073, R075, R241, R253, R651, R652
18-CB0102-JNX	RES. C.F. 1K OHM 1/6W +/-5%	27	R033, R062, R067, R071, R091, R124, R200, R220, R243, R269, R271, R301, R304, R451, R911, R912, R921, R922, R936, R938, R939, R945, R946, R947, R948, R966, R968
18-CB0103-JNX	RES. C.F. 10K OHM 1/6W +/-5%	21	R005, R012A, R017, R029, R031, R051, R054, R055, R061, R101, R102, R225, R237, R633, R716, R722, R757, R960, R961, R962, R989
18-CB0104-JNX	RES. C.F. 100K OHM 1/6W +/-5%	15	R053, R056, R205, R206, R273, R274, R917, R918, R919, R926, R927, R928, R929, R973, R983
18-CB0106-JNX	RES. C.F. 10M OHM 1/6W +/-5%	1	R116
18-CB0123-JNX	RES. C.F. 12K OHM 1/6W +/-5%	2	R244, R951
18-CB0124-JNX	RES. C.F. 120K OHM 1/6W +/-5%	1	R287
18-CB0151-JNX	RES. C.F. 150 OHM 1/6W +/-5%	4	R127, R934, R935, R994
18-CB0152-JNX	RES. C.F. 1.5K OHM 1/6W +/-5%	6	R023, R063, R204, R212, R213, R214
18-CB0153-JNX	RES. C.F. 15K OHM 1/6W +/-5%	9	R027, R057, R072, R112, R113, R288, R452, R632A, R987
18-CB0181-JNX	RES. C.F. 180 OHM 1/6W +/-5%	1	R123
18-CB0182-JNX	RES. C.F. 1.8K OHM 1/6W +/-5%	2	R024, R715
18-CB0201-JNX	RES. C.F. 200 OHM 1/6W +/-5%	1	R993
18-CB0221-JNX	RES. C.F. 220 OHM 1/6W +/-5%	9	R012, R203, R215, R216, R217, R255, R261, R264, R401
18-CB0222-JNX	RES. C.F. 2.2K OHM 1/6W +/-5%	18	D215, D631, R036, R041, R042, R043, R044, R202, R218, R603, R604, R713, R914, R924, R972, R982, R988, R991

PART NUMBER	DESCRIPTION	QTY	LOCATION
18-CB0223-JNX	RES. C.F. 22K OHM 1/6W +/-5%	7	R092, R631, R915, R916, R920, R925, R952
18-CB0224-JNX	RES. C.F. 220K OHM 1/6W +/-5%	1	R251
18-CB0271-JNX	RES. C.F. 270 OHM 1/6W +/-5%	1	R711
18-CB0272-JNX	RES. C.F. 2.7K OHM 1/6W +/-5%	1	R227
18-CB0302-JNX	RES. C.F. 3K OHM 1/6W +/-5%	2	R601, R602
18-CB0331-JNX	RES. C.F. 330 OHM 1/6W +/-5%	4	R222, R223, R229, R259
18-CB0332-JNX	RES. C.F. 3.3K OHM 1/6W +/-5%	10	R013, R014, R025, R034, R074, R076, R111, R254, R302, R472
18-CB0333-JNX	RES. C.F. 33K OHM 1/6W +/-5%	4	R114, R208, R289, R714
18-CB0433-JNX	RES. C.F. 43K OHM 1/6W +/-5%	1	R314
18-CB0470-JNX	RES. C.F. 47 OHM 1/6W +/-5%	6	R021, R070, R077, R084, R085, R940
18-CB0471-JNX	RES. C.F. 470 OHM 1/6W +/-5%	6	R037, R039, R125, R252, R931, R932
18-CB0472-JNX	RES. C.F. 4.7K OHM 1/6W +/-5%	8	R035, R066, R201, R211, R953, R954, R965, R967
18-CB0473-JNX	RES. C.F. 47K OHM 1/6W +/-5%	5	R052, R115, R262, R263, R284
18-CB0560-JNX	RES. C.F. 56 OHM 1/6W +/-5%	1	R122
18-CB0561-JNX	RES. C.F. 560 OHM 1/6W +/-5%	1	R228
18-CB0750-JNX	RES. C.F. 75 OHM 1/6W +/-5%	1	R933
18-CB0752-JNX	RES. C.F. 7.5K OHM 1/6W +/-5%	1	R221
18-CB0820-JNX	RES. C.F. 82 OHM 1/6W +/-5%	4	R913, R923, R971, R981
18-CB0822-JNX	RES. C.F. 8.2K OHM 1/6W +/-5%	3	R022, R026, R286
18-CD0100-JNX	RES. C.F. 10 OHM 1/4W +/-5%	1	R064
18-CD0102-JNX	RES. C.F. 1K OHM 1/4W +/-5%	1	R724
18-CD0181-JNX	RES. C.F. 180 OHM 1/4W +/-5%	1	R226
18-CD0222-JNX	RES. C.F. 2.2K OHM 1/4W +/-5%	1	R723
18-CD0272-JNX	RES. C.F. 2.7K OHM 1/4W +/-5%	1	J691
18-CD0332-JNX	RES. C.F. 3.3K OHM 1/4W +/-5%	1	R313
18-CD0392-JNX	RES. C.F. 3.9K OHM 1/4W +/-5%	1	R725
18-CD0472-JNX	RES. C.F. 4.7K OHM 1/4W +/-5%	1	R312
18-CD0829-JNX	RES. C.F. 8.2 OHM 1/4W +/-5%	2	R607, R608
18-CE0121-JNX	RES. C.F. 120 OHM 1/2W +/-5%	1	R731
18-CE0229-JNX	RES. C.F. 2.2 OHM 1/2W +/-5%	1	R305
18-CE0470-JNX	RES. C.F. 47 OHM 1/2W +/-5%	1	R103
18-DF0109-JGX	RES. M.F. 1 OHM 1W +/-5%	1	R461
18-EG0109-JHX	RES. FUS. 1 OHM 2W +/-5%	1	R431
18-FE0121-JNX	RES. M.O. 120 OHM 1/2W +/-5%	1	R306
18-FE0472-JNX	RES. M.O. 4.7K OHM 1/2W +/-5%	1	R471
18-FF0103-JGX	RES. M.O. 10K OHM 1W +/-5%	1	R421
18-FF0221-JGX	RES. M.O. 220 OHM 1W +/-5%	1	R307
18-FF0242-JGX	RES. M.O. 2.4K OHM 1W +/-5%	1	R402
18-FF0681-JGX	RES. M.O. 680 OHM 1W +/-5%	1	R411
18-FG0399-JHX	RES. M.O. 3.9 OHM 2W +/-5%	1	R726
18-FG0479-JHX	RES. M.O. 4.7 OHM 2W +/-5%	1	R303
18-GF0109-JGX	RES WIRE ROUND 1 OHM 1W +/-5%	1	R311
18-GG0109-JHX	RES WIRE ROUND 1 OHM 2W +/-5%	1	R422
18-GM0302-KTX	RES. CEMENT 3K OHM 7W +/-10%	1	R404
25-264610-M1X	CAP. ELEC 4.7UF 50V +/-20% NP	1	C417
25-BCB100-M1X	CAP. ELEC 10 UF 16V +/-20%	12	C074, C106, C214, C227, C276, C651, C655, C661, C662, C666, C671, C952
25-BCB101-M1X	CAP. ELEC 100 UF 16V +/-20%	8	C064, C217, C228, C257, C658, C934, C944, C969
25-BCB220-M1X	CAP. ELEC 22 UF 16V +/-20%	1	C278
25-BCB221-M1X	CAP. ELEC 220 UF 16V +/-20%	2	C634, C933
25-BCB470-M1X	CAP. ELEC 47 UF 16V +/-20%	14	C070, C202, C274, C911, C912, C913, C921, C922, C923, C931, C932, C943, C981, C991
25-BCB471-M1X	CAP. ELEC 470 UF 16V +/-20%	1	C082
25-BEA102-M1X	CAP. ELEC 1000 UF 35V +/-20%	2	C432, C610
25-BEA221-M1X	CAP. ELEC 220 UF 35V +/-20%	1	C306
25-BEA471-M1X	CAP. ELEC 470 UF 35V +/-20%	2	C607, C608
25-BEB101-M1X	CAP. ELEC 100 UF 35V +/-20%	1	C731
25-BEG222-M1X	CAP. ELEC 2200 UF 35V +/-20%	2	C303, C309
25-BFB100-M1X	CAP. ELEC 10 UF 50V +/-20%	2	C222, C311
25-BFB101-M1X	CAP. ELEC 100 UF 50V +/-20%	1	C605
25-BFB108-M1X	CAP. ELEC 0.1 UF 50V +/-20%	1	C271
25-BFB109-M1X	CAP. ELEC 1 UF 50V +/-20%	8	C206, C253, C631, C654, C663, C664, C665, C672
25-BFB478-M1X	CAP. ELEC 0.47 UF 50V +/-20%	1	C208
25-BFB479-M1X	CAP. ELEC 4.7 UF 50V +/-20%	2	C101, C124
25-BKA100-M1X	CAP. ELEC 10 UF 200V +/-20%	1	C421
25-BKG101-M1X	CAP. ELEC 100 UF 200V +/-20%	1	C422
25-BLA100-M1X	CAP. ELEC 10 UF 250V +/-20%	1	C442

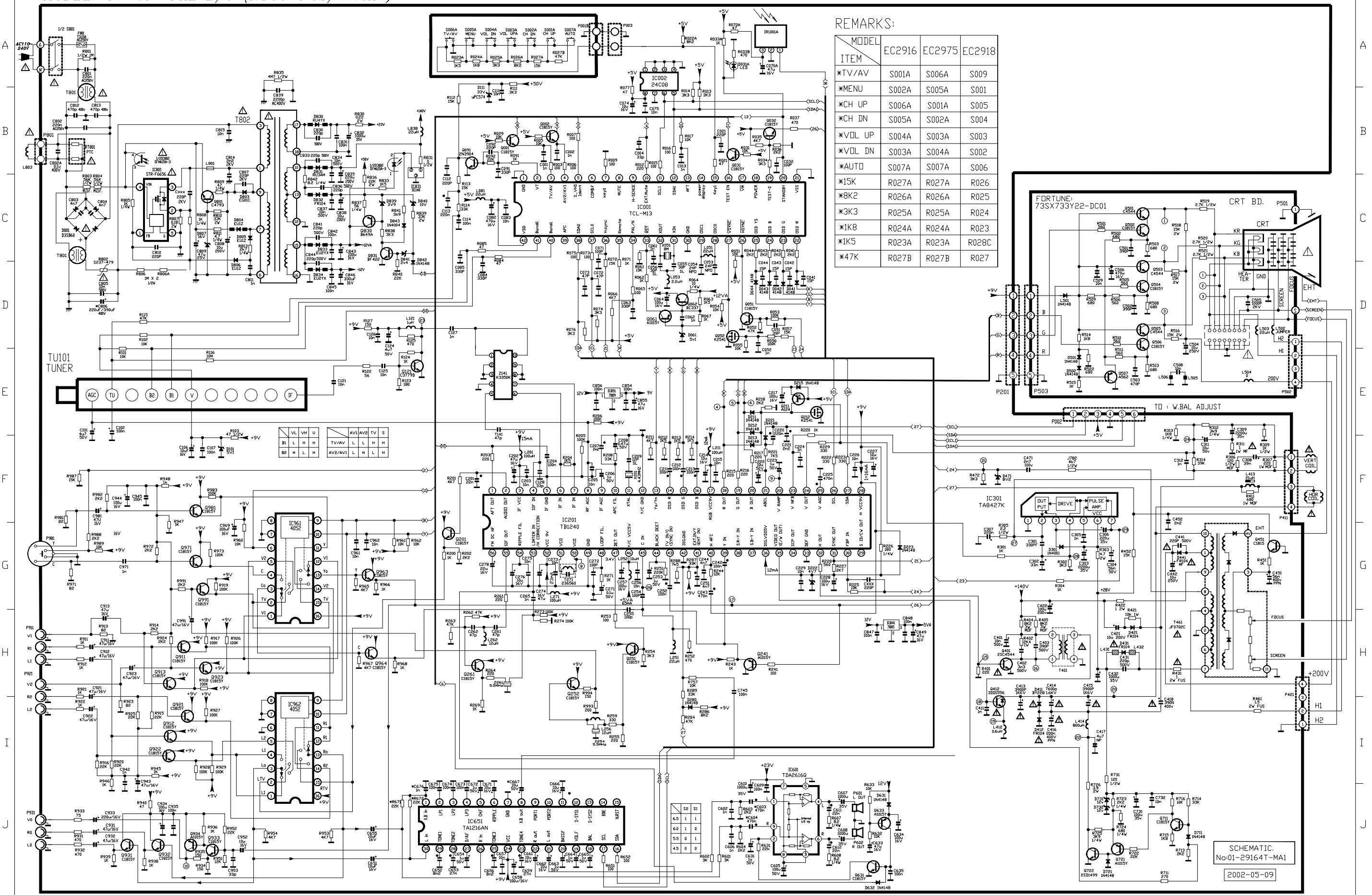
PART NUMBER	DESCRIPTION	QTY	LOCATION
25-GFB109-K1X	CAP. ELEC 1UF 50V +/-10%	1	C223
26-AIC221-KBX	CAP. CER 220 PF 500V +/-10% B	2	C431, C441
26-AIC332-KBX	CAP. CER 3300 PF 500V +/-10% B	1	C402
26-AIC391-KBX	CAP. CER 390 PF 500V +/-10% B	1	C403
26-AIM103-KBX	CAP. CER 0.01 UF 500V +/-10% B	1	C401
26-EBP101-JCX	CAP. CER 100 PF 50V +/-5% CH	5	C032, C071, C254, C255, C272
26-EBP102-KBX	CAP. CER 1000 PF 50V +/-10% B	15	C001, C002, C013, C061, C062, C127, C224, C265, C305, C312, C411, C602, C606, C942, C971
26-EBP103-ZFX	CAP. CER 0.01UF 50V +80-20% F	19	C075, C083, C111, C121, C125, C126, C203, C205, C215, C226, C229, C256, C273, C275, C657, C732, C935, C961, C962
26-EBP104-ZFX	CAP. CER 0.1UF 50V +80-20% F	10	C107, C114, C204, C609, C635, C673, C674, C675, C745, C945
26-EBP120-JCX	CAP. CER 12 PF 50V +/-5% CH	1	C209
26-EBP150-JCX	CAP. CER 15 PF 50V +/-5% CH	4	C041, C042, C043, C044
26-EBP220-JCX	CAP. CER 22 PF 50V +/-5% CH	2	C053, C054
26-EBP221-JCX	CAP. CER 220 PF 50V +/-5% CH	4	C021, C092, C112, C228A
26-EBP222-KBX	CAP. CER 2200PF 50V +/-10% B	1	C452
26-EBP300-JZX	CAP. CER 30 PF 50V +/-5% SL	2	C055, C056
26-EBP330-JZX	CAP. CER 33 PF 50V 5% SL TUBU	2	C128, C953
26-EBP331-JCX	CAP. CER 330 PF 50V +/-5% CH	6	C004, C063, C084, C085, C091, C301
26-EBP390-JCX	CAP. CER 39 PF 50V +/-5% CH	1	C051
26-EBP470-JZX	CAP. CER 47 PF 50V +/-5% SL	5	C072, C073, C261, C262, T141
27-AHR434-J0X	CAP. M.PP 0.43 UF 400V +/-5%	1	C418
27-ALQ272-J0X	CAP. M.PP 0.0027UF 1.6KV +/-5%	1	C413
27-ALR722-J0X	CAP. M.PP 7200 PF 1.6KV +/-5%	1	C415
27-ALR762-J0X	CAP. M.PP 7600 PF 1.6KV +/-5%	1	C414
27-MBC104-J0X	CAP. M.P.E.0.1 UF 50V +/-5%	6	C102, C211, C212, C213, C242, C252
27-MBC224-J0X	CAP. M.P.E. 0.22 UF 50V +/-5%	2	C113, C307
27-MBC474-J0X	CAP. M.P.E. 0.47 UF 50V +/-5%	5	C225, C243, C251, C603, C604
27-MCC272-J0X	CAP. P.E. 2700 PF 100V +/-5%	1	C471
27-PBC103-J0X	CAP. P.E. 0.01UF 50V +/-5%	1	C052
27-PBC222-J0X	CAP. P.E. 2200 PF 50V +/-5%	2	C207, C221
27-PBC223-J0X	CAP. P.E. 0.022UF 50V +/-5%	3	C201, C611, C612
27-PBC273-J0X	CAP. P.E 0.027UF 50V +/-5%	2	C653, C659
27-PBC333-J0X	CAP. P.E 0.033UF 50V +/-5%	1	C302
27-PBC393-J0X	CAP. P.E 0.039UF 50V +/-5%	1	C308
27-PBC472-J0X	CAP. P.E. 4700PF 50V +/-5%	1	C244
27-PBC563-J0X	CAP. P.E 0.056 UF 50V +/-5%	1	C304
27-PBC822-J0X	CAP. P.E. 8200 PF 50V +/-5%	2	C652, C656
27-RHQ223-J0X	CAP. PP 0.022 UF 400V +/-5%	1	C416
27-RHQ563-J0X	CAP. PP 0.056 UF 400V +/-5%	1	C451
34-A109K2-0IX	COIL CHOKE 1 UH +/-10% (5MM)	1	L121
34-A608K6-1BX	COIL CHOKE 0.6 UH +/-10%	1	L412
34-R100J2-0EX	COIL PL - 10 UH +/-5%	1	L252
34-R101J2-0EX	COIL PL - 100 UH +/-5%	3	L201, L211, L271
34-R120J2-0EX	COIL PL - 12 UH +/-5%	2	L256, L262
34-R220J2-0EX	COIL PL - 22 UH +/-5%	3	L051, L081, L251
34-R229J2-0EX	COIL PL - 2.2 UH +/-5%	1	L053
36-HDR001-XX1	TRANSFORMER HORIZ DRIVE	1	T401
36-LIN210-XX1	COIL LINEARITY 21 UH	1	L413
36-WID801-XX1	COIL WIDTH 800 UH	1	L414
37-BSC290-1650X	FLYBACK BSC29-0165	1	T461
38-236560-00X	COIL I.F.T. 236560 FOR VCO	1	T271
40-2916MT-MAG	P.C.B. MAIN BD	1	
41-BF0080-0BB	WIRE UL 1007 #24 80MM BLACK	1	FOR J731(R954) TO P1/P1200
41-RE0050-1BB	WIRE UL 1672 #22 50MM BROWN	1	FOR P602(GND) TO C610(GND)
41-WJ0050-B00	WIRE BARE JUMPER 5MM	1	FOR Q749 (B - E)
41-WJ0050-B00	WIRE BARE JUMPER 5MM	21	C744, C946, J022, J410A, J415, J416, J417, J418, J419, J420, J435, J436, J437, J525, J636, J637, J638, J773, J871, J954, J955
41-WJ0060-B00	WIRE BARE JUMPER 6MM	40	J044, J075, J081, J123, J132, J141, J229, J230, J232, J242, J261, J301, J327, J328, J338, J401, J421, J512, J523, J543, J601, J633, J720, J732, J733, J825, J826, J832, J834, J836, J837, J838, J911, J921, R028A, R028B, R028C, R126, R224, R751

PART NUMBER	DESCRIPTION	QTY	LOCATION
41-WJ0065-B00	WIRE BARE JUMPER 6.5MM	9	J410, J433, J511, J514, J615, J632, J725, J729, R238
41-WJ0070-B00	WIRE BARE JUMPER 7MM	8	J023, J426, J513, J671, J672, J724, J726, J741
41-WJ0075-B00	WIRE BARE JUMPER 7.5MM	33	D141, J041, J043, J124, J151, J152, J154, J207, J208, J217, J241, J331, J351, J405, J406, J407, J408, J412, J521, J541, J551, J642, J651, J656, J693, J712, J734, J812, J821, J833, J851, J915, J941
41-WJ0080-B00	WIRE BARE JUMPER 8 MM	4	J201, J425, J443, J453
41-WJ0085-B00	WIRE BARE JUMPER 8.5MM	13	J122, J204, J205, J409, J424, J441, J502, J503, J553, J554, J621, J723, J822
41-WJ0090-B00	WIRE BARE JUMPER 9MM	2	J031, J634
41-WJ0095-B00	WIRE BARE JUMPER 9.5MM	4	J226, J343, J344, J713
41-WJ0100-B00	WIRE BARE JUMPER 10MM	16	J001, J002, J061, J134, J203, J402, J423, J432, J501, J611, J631, J652, J653, J692, J728, J735
41-WJ0105-B00	WIRE BARE JUMPER 10.5MM	2	J442, J622
41-WJ0110-B00	WIRE BARE JUMPER 11MM	10	J227, J228, J244, J302, J313, J322, J612, J614, J625, JP213
41-WJ0115-B00	WIRE BARE JUMPER 11.5MM	6	J052, J246, J342, J522, J627, J628
41-WJ0120-B00	WIRE BARE JUMPER 12MM	6	J051, J250, J253, J254, J434, J711
41-WJ0125-B00	WIRE BARE JUMPER 12.5MM	12	J131, J206, J218, J222, J225, J263, J352, J643, J772, J813, J951, J981
41-WJ0130-B00	WIRE BARE JUMPER 13MM	3	J239, J346, J413
41-WJ0135-B00	WIRE BARE JUMPER 13.5MM	7	J224, J236, J247, J248A, J345, J411, R228A
41-WJ0140-B00	WIRE BARE JUMPER 14MM	4	J335, J336, J337, J742
41-WJ0150-B00	WIRE BARE JUMPER 15MM	20	J032, J111A, J133, J153, J211, J235, J237, J243, J245, J255, J262, J311, J347, J461, J542, J714, J721A, J722A, J761, J931
41-WJ0160-B00	WIRE BARE JUMPER 16MM	6	J238, J325, J334, J431, J444, J445
41-WJ0165-B00	WIRE BARE JUMPER 16.5MM	3	J221, J234, J314
41-WJ0170-B00	WIRE BARE JUMPER 17MM	3	J231, J240, J835
41-WJ0175-B00	WIRE BARE JUMPER 17.5MM	6	J223, J249A, J251, J661, J771, J811
41-WJ0180-B00	WIRE BARE JUMPER 18MM	5	J212, J213, J214, J215, J623
41-WJ0190-B00	WIRE BARE JUMPER 19MM	1	J823
41-WJ0195-B00	WIRE BARE JUMPER 19.5MM	3	J323, J355, J641
41-WJ0200-B00	WIRE BARE JUMPER 20MM	7	J312, J427, J624, J626, J727, J824, J831
45-FIL5M5-0Y0	CER. FILTER 5.5 MHZ	1	Z261
45-OSC4M4-3Y0	CRYSTAL 4.43 MHZ	1	X201
45-OSC8M0-0Y0	CRYSTAL 8.0MHZ	1	X051
45-SAW38M-9Y2	SAW FILTER K3350K (38.9MHZ)	1	Z141
45-TRA5M5-0Y0	CER. TRAP 5.5 MHZ	1	Z254
46-20598W-04X	PIN BASE *4 TJC1-4A	1	P411, FOR D.Y CONNECTOR
46-33079W-02X	PIN BASE *2 TJC3-2A	1	P602, FOR FRONT CAB. (SPK)
46-33079W-02X	PIN BASE *2 TJC3-2A	1	P601, FOR FRONT CAB. (SPK)
46-33079W-04X	PIN BASE *4 TJC3-4A	1	P421, FOR CRT BD P502
46-33079W-05X	PIN BASE *5 TJC3-5A	1	P201, FOR CRT BD P503
46-33079W-06X	PIN BASE *6 TJC3-6A	1	P002, FOR W. BAL. ADJUST
47-RCA023-XX1	RCA JACK 3PV YEL WHI RED/SW	3	P911, P921, P931
47-SVI002-XX0	SOCKET S-W16-J	1	P981
48-TAC002-XX0	SW. TACT VERT (H=4MM L=6.4MM)	6	S001, S002, S003, S004, S005, S006
49-301480-00X	RUBBER SPACER	2	STICK ON M.BD BKT & REAR CAB.
54-128700-0X0	FIBRE WASHER 3.3 X 10 X 0.8	2	MTG M.BD & FBT
62-10654X-00F	UNI - TIE (2.5MMX95MM)	12	
62-226920-0HA	LED HOLDER	1	
62-227680-0UA	HOLDER CABLE FOR FBT (2)	1	
62-2516MB-2UN	MAIN BD BRACKET	1	
62-313410-0HA	BRACKET	1	
63-B30100-BT4	S/T SCREW B 3 X 10 BT	2	MTG M.BD & FBT
63-W30100-AB4	S/T SCREW W 3 X 10 AB	7	MTG M.BD & BKT
63-W30120-AB4	S/T SCREW W 3 X 12 AB	1	MTG FBT BKT & M.BD BKT
64-P30080-104	M/C SCREW P 3 X 8	1	FOR Q722
64-P30080-104	M/C SCREW P 3 X 8	1	FOR IC301
64-P30080-104	M/C SCREW P 3 X 8	1	FOR Q412
64-P30100-104	M/C SCREW P 3 X 10	2	FOR IC601
65-Z30050-23M	NUT M 3	2	FOR IC301 & Q412
65-Z30050-23M	NUT M 3	2	FOR IC601
67-H27292-1A0	HEAT SINK-REGULATOR & DPC A=60	1	FOR Q722
67-H30147-1A0	HEAT SINK FOR HORIZ	1	FOR Q412

PART NUMBER	DESCRIPTION	QTY	LOCATION
67-H30179-3A0	HEAT SINK	1	FOR IC301
67-H30705-3A0	HEAT SINK	1	FOR IC601
70-271510-00A	SERVICE CARD	1	FOR PRODUCTION USE
71-270870-0A9	LABEL	2	
90-209770-SR1	SILICONE GREASE G-746 (1KG/CAN	0	FOR IC601 & Q412 & Q722
90-269080-ZU0	CLEAN COATING TC-131L 14KG/BAR	0	
49-341790-BAT	BATTERY AA SIZE	2	
72-29064T-E12	OPERATION MANUAL	1	
74-022032-6WE	POLYBAG (22CMX32CMX0.06MM)	1	
74-130130-80HAA	POLYBAG W/SUFFOCATION WARNING	1	
75-2906LL-CC0	POLYFOAM "LL"	1	
75-2906LR-CC0	POLYFOAM "LR"	1	
75-2906UL-CC0	POLYFOAM "UL"	1	
75-2906UR-CC0	POLYFOAM "UR"	1	
76-02906A-0AT	CARTON BOX	1	
08-02918T-PW2	ASS'Y - POWER PARTS (AUST)		
10-0EG01C-FBX	DIODE EG01C (FAST RECTIFIER)	1	D803
10-0TEU1Z-FBX	DIODE EU1Z (FAST RECOVERY)	3	D804, D805, D806
10-1N4004-EBX	DIODE 1N4004 (RECTIFIER)	1	D843
10-1N4148-ABX	DIODE 1N4148 (SWITCHING)	1	D842
10-55C10V-DBX	DIODE ZENER 10V 1/2W +/-5%	1	D840
10-55C16V-DBX	DIODE ZENER 16V 1/2W +/-5%	1	D807
10-55C2V4-DBX	DIODE ZENER 2V4 1/2W 5%	1	D841
10-55C3V9-DBX	DIODE ZENER 3.9V 1/2W +/-5%	1	D839
10-T3SB60-H7X	DIODE T3SB60 (BRIDGE RECT.)	1	DB801
10-TEU2YX-FBX	DIODE TEU2YX (FAST RECTIFIER)	2	D833, D834
10-TFR104-FBX	DIODE TFR104 (FAST RECOVERY)	1	D832
10-TRU3AM-F0X	DIODE TRU3AM (FAST RECOVERY)	1	D831
10-TRU4YX-F0X	DIODE TRU4YX (FAST RECOVERY)	1	D830
11-0BF422-0BX	TRANSISTOR BF422	1	Q831
11-SB649A-0AX	TRANSISTOR 2SB649A	1	Q830
11-SC4793-0AX	TRANSISTOR 2SC4793 (VM)	1	Q801
13-000L78-05S	IC L7805 CV 5V 1A (REGULATOR)	1	IC841
13-00MC78-09S	IC MC7809C LINEAR +9V 1A	1	IC851
13-00SE14-0NS	IC SE140N	1	IC831
13-SFH615-A3P	PHOTO COUPLER SFH615A3C	1	IC802
13-STRF66-56P	IC STR-F6656	1	IC801
18-CB0152-JNX	RES. C.F. 1.5K OHM 1/6W +/-5%	1	R833
18-CB0223-JNX	RES. C.F. 22K OHM 1/6W +/-5%	1	R840
18-CB0332-JNX	RES. C.F. 3.3K OHM 1/6W +/-5%	1	R838
18-CB0392-JNX	RES. C.F. 3.9K OHM 1/6W +/-5%	1	R841
18-CD0102-JNX	RES. C.F. 1K OHM 1/4W +/-5%	2	R805, R808
18-CD0272-JNX	RES. C.F. 2.7K OHM 1/4W +/-5%	1	R813
18-CD0470-JNX	RES. C.F. 47 OHM 1/4W +/-5%	1	R809
18-CD0479-JNX	RES. C.F. 4.7 OHM 1/4W +/-5%	1	R811
18-CD0560-JNX	RES. C.F. 56 OHM 1/4W +/-5%	1	R837
18-CD0829-JNX	RES. C.F. 8.2 OHM 1/4W +/-5%	1	R842
18-CE0105-JNX	RES. C.F. 1M OHM 1/2W +/-5%	2	R806, R806A
18-CE0563-JNX	RES. C.F. 56K OHM 1/2W +/-5%	2	R803, R804
18-FG0223-JHX	RES. M.O. 22K OHM 2W +/-5%	1	R836
18-FG0333-JHX	RES. M.O. 33K OHM 2W +/-5%	2	R810, R839
18-GG0158-JHX	RES WIRE ROUND 0.15 OHM 2W 5%	1	R807
18-GG0228-JHX	RES WIRE ROUND 0.22 OHM 2W 5%	1	R830
18-KE0105-JNX	RES. H. VOLT. CC 1M OHM 1/2W	1	R801
18-KF0825-JHX	VOLTAGE RES. 8.2M OHM 2W +/-5%	1	R835
22-NTC479-XX0	NTC 4.7 OHM +/-18% NTC4.7D2-14	1	R802
22-PTC140-XX0	PTC 14 OHM	1	RT801
25-BCB331-M1X	CAP. ELEC 330 UF 16V +/-20%	2	C843, C846
25-BCB470-M1X	CAP. ELEC 47 UF 16V +/-20%	2	C849, C855
25-BDB470-M1X	CAP. ELEC 47 UF 25V +/-20%	1	C809
25-BEA102-M1X	CAP. ELEC 1000 UF 35V +/-20%	1	C832
25-BKA100-M1X	CAP. ELEC 10 UF 200V +/-20%	2	C808, C838
25-BKJ221-M1X	CAP. ELEC 220 UF 200V +/-20%	1	C835
25-BMJ221-M11	CAP. ELEC 220 UF 400V +/-20%	1	C806
26-AIC221-KBX	CAP. CER 220 PF 500V +/-10% B	5	C830, C833, C836, C841, C844
26-AIM103-KBX	CAP. CER 0.01 UF 500V +/-10% B	3	C805, C834, C837
26-AKK222-KRX	CAP. CER 2200 PF 1KV +/-10% R	1	C814
26-AMK221-JZX	CAP. CER 220 PF 2KV +/-5% SL	1	FOR P2 - P3 OF IC801

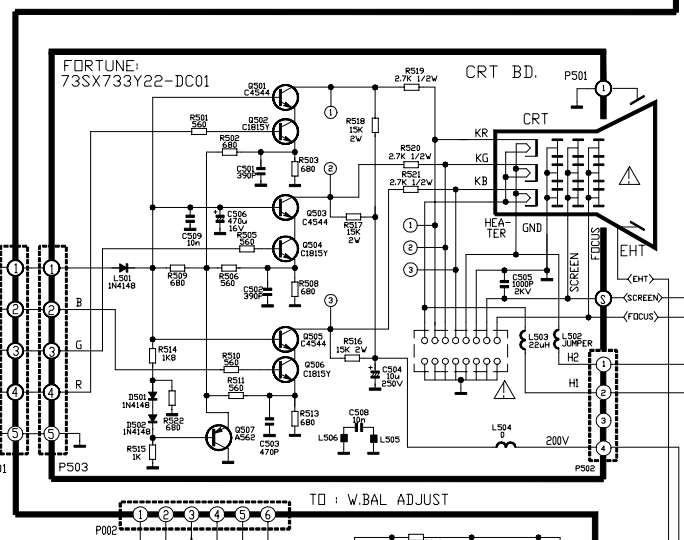
PART NUMBER	DESCRIPTION	QTY	LOCATION
26-AMK221-JZX	CAP. CER 220 PF 2KV +/-5% SL	1	C807
26-APK471-KBJ	CAP. CER 470PF 400VAC +/-10% B	2	C812, C813
26-AQK472-ZFX	CAP. CER 4700PF 250VAC+80-20%F	2	C803, C804
26-ATK222-MEJ	CAP. CER 2200PF 400VAC +/-20%E	1	C839
26-EBP102-KBX	CAP. CER 1000 PF 50V +/-10% B	1	C811
26-EBP103-ZFX	CAP. CER 0.01UF 50V +80-20% F	1	C815
26-EBP104-ZFX	CAP. CER 0.1UF 50V +80-20% F	7	C831, C842, C845, C847, C848, C854, C856
26-EBP221-JCX	CAP. CER 220 PF 50V +/-5% CH	1	C810
27-AQT224-MVF	CAP. M.PP 0.22UF 250VAC 20% CB	2	C801, C802
27-MHM104-K0X	CAP. METAL P.E. 0.1UF 400V 10%	1	C802A
34-R220K2-1CX	COIL CHOKE 22 UH +/-10%	1	L838
35-139730-00X	FERR. BEAD BF60	2	FOR L801
35-237250-00X	FERR. BEAD HF70	2	FOR D804
35-237250-00X	FERR. BEAD HF70	2	FOR D831
35-237250-00X	FERR. BEAD HF70	2	FOR D832
35-237250-00X	FERR. BEAD HF70	2	FOR D833
35-237250-00X	FERR. BEAD HF70	2	FOR D834
35-237250-00X	FERR. BEAD HF70	2	FOR D830
36-LIF002-XX0	LINE FILTER 20 MH	1	T803
36-LIF005-XX0	LINE FILTER	1	T801
36-TRF001-XX2	TRANSFORMER CONV. KB49C1640	1	T802
41-AJ0175-BEE	WIRE BARE JUMPER 17.5MM	1	L801
41-WJ0050-B00	WIRE BARE JUMPER 5MM	10	J802, J804, J805, J806, J807, J808, J809, J810, J815, J816
41-WJ0065-B00	WIRE BARE JUMPER 6.5MM	1	J451
41-WJ0075-B00	WIRE BARE JUMPER 7.5MM	1	J471
41-WJ0100-B00	WIRE BARE JUMPER 10MM	3	J371, J654, J655
41-WJ0125-B00	WIRE BARE JUMPER 12.5MM	3	J361, J492, R831
41-WJ0145-B00	WIRE BARE JUMPER 14.5MM	1	J491
41-WJ0150-B00	WIRE BARE JUMPER 15MM	1	R812
41-WJ0155-B00	WIRE BARE JUMPER 15.5MM	2	J561, J562
41-WJ0175-B00	WIRE BARE JUMPER 17.5MM	2	J271, J281
41-WJ0180-B00	WIRE BARE JUMPER 18MM	1	J353
41-WJ0190-B00	WIRE BARE JUMPER 19MM	1	J354
41-WJ0200-B00	WIRE BARE JUMPER 20MM	1	J381
46-10962W-02X	PIN BASE *2 TJC2-2A	1	P801, FOR DEGAUSSING COIL
46-28559W-02X	PIN BASE *2 TJC1-2A	1	P802, FOR POWER CORD
48-325390-002	SWITCH POWER PS5E-B	1	S801
50-26931D-1VS	FUSE 3.15AT 250VAC 5X20MM BELL	1	F801
51-JC0243-0CH	POWER CORD SAA PLUG W/HOUSING	1	
64-B30100-104	M/C SCREW B 3 X 10	2	MTG H.SINK(67-H29550-8A0&67-H34692-0A0)
64-P30080-104	M/C SCREW P 3 X 8	3	FOR IC841 & IC851 & IC801
65-Z30050-23M	NUT M 3	1	FOR IC801
66-20516X-0B0	FUSE HOLDER	2	FOR F801
67-H10918-4M2	HEAT SINK	2	FOR IC841 & IC851
67-H29550-8A0	HEAT SINK	1	FOR IC801
67-H34692-0A0	HEAT SINK	1	FOR IC801
54-114000-00X	FELT TAPE 150X19MM	10	STICK ON REAR CAB.
55-2906RC-0EN	REAR CAB.(20%6075+80PH88/492J)	1	
58-2506RI-9UI	INLAY TERMIANL BD(Y/C RCA-9)	1	
58-2906MP-0UI	PLATE MODEL NO.	1	
59-130460-00X	RUBBER PAD (25MMX7MM)	2	
63-B40200-AB3	S/T SCREW B 4 X 20 AB	10	MTG R. CAB TO F. CAB
63-F30100-BT3	S/T SCREW F 3 X 10 BT (BLACK)	3	FOR RCA JACK & REAR CAB.

MODEL: TV-29" PAL B/G (NTSC 3.58/4.43AV)



REMARKS:

MODEL	EC2916	EC2975	EC2918
*TV/AV	S001A	S006A	S009
*MENU	S002A	S005A	S001
*CH UP	S006A	S001A	S005
*CH DN	S005A	S002A	S004
*VOL UP	S004A	S003A	S003
*VOL DN	S003A	S004A	S002
*AUTO	S007A	S007A	S006
*15K	R027A	R027A	R026
*8K2	R026A	R026A	R025
*3K3	R025A	R025A	R024
*1K8	R024A	R024A	R023
*1K5	R023A	R023A	R028C
*47K	R027B	R027B	R027



SCHEMATIC.  
No.01-29164T-MA1  
2002-05-09

